

PRODUCT DATASHEET

DOT-it CLASSIC CLASSIC SI

DOT-it® | Little helpers



Areas of application

- For indoor use only
- Nightlight
- Wardrobes
- Kitchens

Product benefits

- Attractive and functional design
- Can easily be moved to where light is needed thanks to battery operation
- Economical operation due to low power consumption
- Accessories for flexible mounting options included

Product features

- ON/OFF via Touch DIM



TECHNICAL DATA**Electrical data**

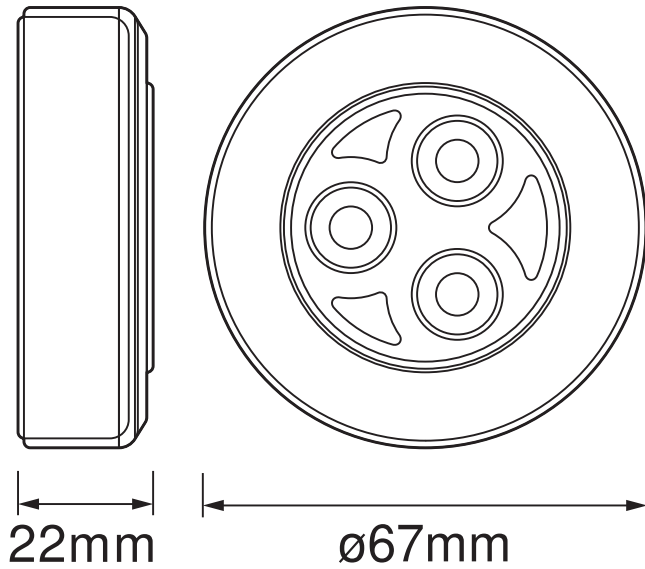
Nominal wattage	0.23W
Nominal voltage	4,5 V
Mains frequency	0 Hz
Max. no. of lum. on circuit break. B16 A	-
Max. no. of lum. on circuit break. C10 A	-
Max. no. of lum. on circuit break. C16 A	-
Protection class	III
Operating mode	Battery

Photometrical data

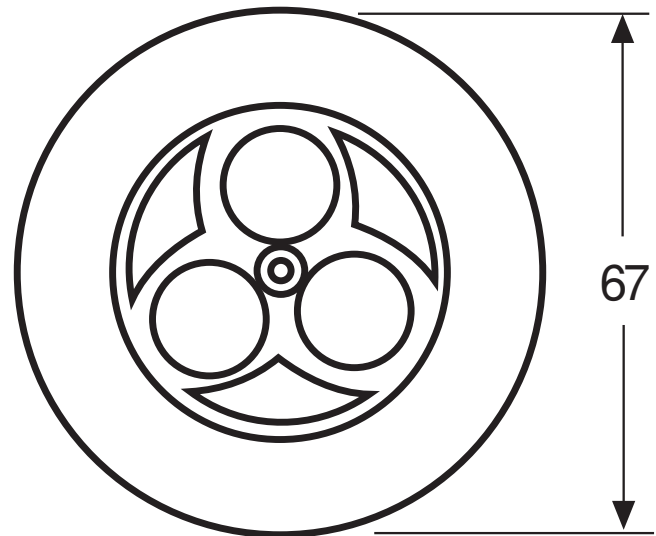
Luminous flux	10 lm
Luminous efficacy	43 lm/W
Color temperature	7000 K
Light color (designation)	Cool White
Color rendering index Ra	> 80
Beam angle	70 °

Dimensions & Weight

Diameter	68.00 mm
Width	67 mm
Height	22.00 mm
Product weight	83.00 g



Product line drawing with numbers



Product line drawing with numbers

Materials & Colors

Product color	Silver
Housing color	Silver
Body material	Acrylonitrile butadiene styrene (ABS)
Mercury content	0.0 mg

Application & Mounting

Ambient temperature range	-20...+30 °C
Type of protection	IP20
Dimmable	No
Mounting type	Surface
Mounting location	Wall
Application environment	Indoor
Adjustable	No
LED module replaceable	Not replaceable
With light source	Yes

Lifespan

Lifespan L70/B50 at 25 °C	20000 h
---------------------------	---------

Emergency lighting

Nominal voltage of battery	1.5 V
----------------------------	-------

Certificates & Standards

Standards	CE / UKCA
-----------	-----------

EQUIPMENT / ACCESSORIES

- 3 AAA batteries included
- Complete mounting and connecting accessories included

DOWNLOAD DATA

Documents and certificates



Declarations Of Conformity CE

LOGISTICAL DATA

Product code	Packaging unit (Pieces/Unit)	Dimensions (length x width x height)	Gross weight	Volume
4058075227804	Blister 1	31 mm x 140 mm x 120 mm	92.00 g	0.52 dm ³
4058075227811	Shipping box 6	286 mm x 75 mm x 130 mm	627.00 g	2.79 dm ³

The mentioned product code describes the smallest quantity unit which can be ordered. One shipping unit can contain one or more single products. When placing an order, for the quantity please enter single or multiples of a shipping unit.

DISCLAIMER

Subject to change without notice. Errors and omission excepted. Always make sure to use the most recent release.