

Product datasheet

ST 151 LONGLIFE

Starters for series operation at 230 V AC



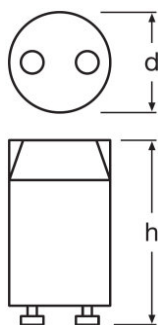
Product datasheet

Technical data

Electrical data

Mains frequency	50/60 Hz
-----------------	----------

Dimensions & weight



Product weight	6.43 g
Overall length	40.30 mm

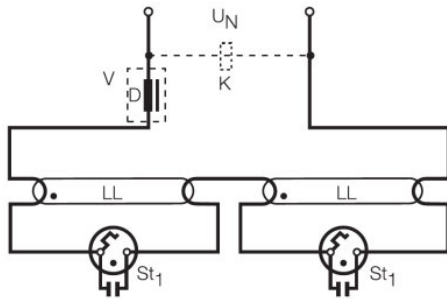
Additional product data

Product remark	Starters are available in two different designs, with identical technical features
Appropriate disposal acc. to WEEE	Yes
Mercury content	0.0 mg

Environmental information

Information according Art. 33 of EU Regulation (EC) 1907/2006 (REACH)	
Date of Declaration	18-04-2022
Primary Article Identifier	4050300012803
Declaration No. in SCIP database	In work

Product datasheet



SERIES CIRCUIT FOR TWO LAMPS

Ecodesign regulation information:

Separate control gear and light sources must be disposed of at certified disposal companies in accordance with Directive 2012/19/EU (WEEE) in the EU and with Waste Electrical and Electronic Equipment (WEEE) Regulations 2013 in the UK. For this purpose, collection points for recycling centres and take-back systems (CRSO) are available from retailers or private disposal companies, which accept separate control gear and light sources free of charge. In this way, raw materials are conserved and materials are recycled.

Logistical Data

Product code	Product description	Packaging unit (Pieces/Unit)	Dimensions (length x width x height)	Volume	Gross weight
4050300012803	ST 151 LONGLIFE	Shipping carton box 1200 Pieces Unpacked	400 mm x 235 mm x 325 mm	30.55 dm ³	8362.00 g

The mentioned product code describes the smallest quantity unit which can be ordered. One shipping unit can contain one or more single products. When placing an order, for the quantity please enter single or multiples of a shipping unit.

Disclaimer

Subject to change without notice. Errors and omission excepted. Always make sure to use the most recent release.

OSRAM is distribution partner
of LEDVANCE of LAMPS

OSRAM

OSRAM GmbH
Marcel-Breuer-Strasse 6
80807 Munich, Germany